

FRONT FRAMES

- Solid 3/4" thick lumber, 1-1/2" wide standard.
- Pocket screwed and glued.
- Frames dadoed to receive cabinet ends.
- Frames glued and clamped to cabinet cases.

CABINET ENDS

- Unfinished ends are 1/2" thick natural birch veneered plywood.
- Unfinished ends are recessed 1/8" for scribe.
- Finished ends are 5/8" thick veneered plywood.
- Finished ends are near flush with the front frame.
- *If near flush finished sides are objectionable, mitered furniture ends can be added as a modification per side. Use SKU MFE-L or R.*
- Ends are dadoed to receive top stretchers and bottoms.
- Ends are rabbeted to receive back.

BOTTOMS

- Natural birch veneered material 1/2" thick set into machined dado on ends, glued and fastened.

BACKS

- Natural birch veneered plywood 1/2" thick set into rabbeted ends.
- Cabinet backs are flush to the ends.

SHELVES

- 3/4" natural birch veneered furniture grade plywood.
- Banded on front edge with complimenting PVC.
- Adjustable on 32mm (1-1/4") borings, 3mm size.

INTERIORS

- Stained Finish – natural birch interiors.
- Painted Finish – natural birch interiors.

TOE KICK

- Toe kick is 1/2" thick plywood and fits between the cabinet ends.
- 1/4" thick decorative toe material in 96" lengths is available for installation on site.

DRAWER BOXES

- Drawer box sides are made of solid 5/8" thick hardwood.
- Drawer box fronts & backs are also 5/8" thick hardwood.
- Bottoms are 3/8" thick Baltic Birch plywood. Bottoms are captive on all four sides.
- Drawer box fronts and backs are joined to sides with furniture quality dovetails.
- Full extension soft close drawer slides function normally with static loads up to 75 pounds.
- *Drawer fronts with inset construction have a mechanism on the drawers allowing for adjustability of the drawer head in the frame opening.*

OPTIONAL TOUCH LATCH FOR DOORS & DRAWERS

- BY QUOTE ONLY.
- Not available on all cabinets.
- Hinges and drawer slides cannot be soft close when using touch latches.
- Not available on framed modern overlay cabinets.

HINGES

- Modern Overlay; concealed with soft close.
- Inset; concealed with soft close.
- Inset; exposed finial.

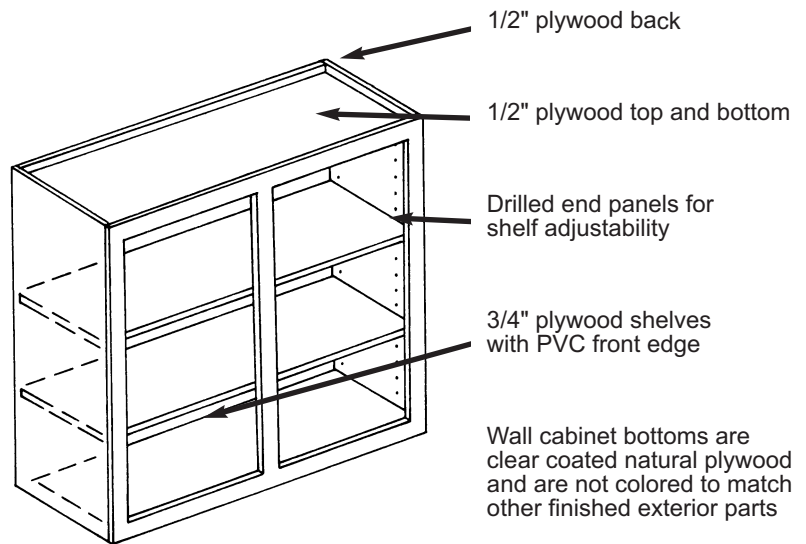
DOORS & DRAWER FRONTS

- Doors and drawer fronts are made from solid 3/4 or 1" thick lumber.
- Solid mortise and tenon joints between stiles and rails of doors.
- Mitered doors are mortise & tenoned, glued and precision squared.
- Center panels of solid wood are floating, held in place by flexible inserts to compensate for climate variations.
- All doors and drawer fronts are individually hand fitted before finishing.

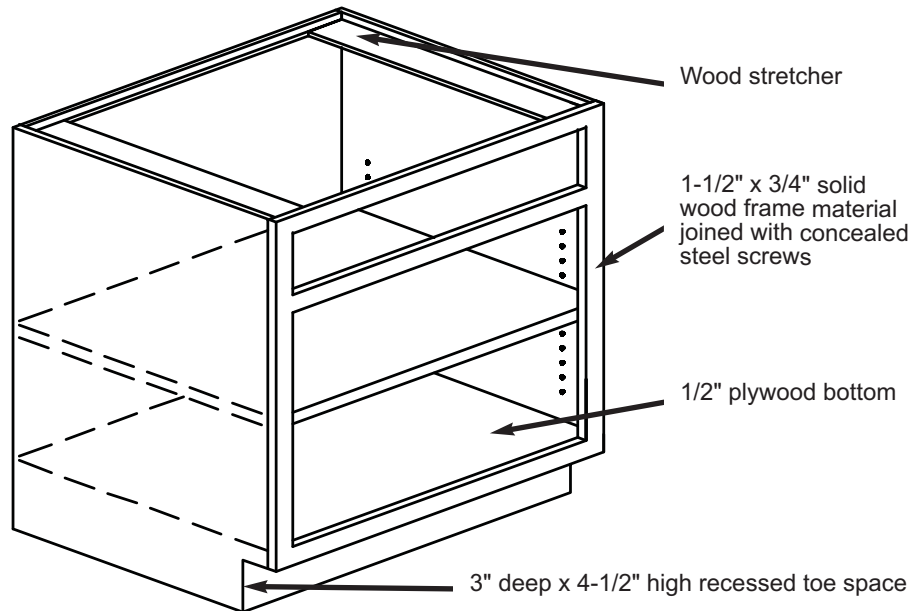
We reserve the right to change material or design specifications without dealer notification. Such changes may not be automatically incorporated into products previously produced.



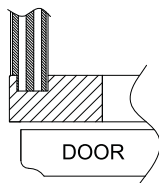
Wall Cabinets



Base Cabinets



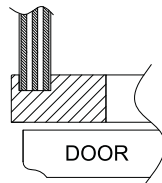
Finished End



Finished ends have a 5/8" thick plywood near flush end panel.

If near flush finished sides are objectionable, mitered furniture ends can be added as a modification per side. Use SKU MFE-L or R.

Concealed End

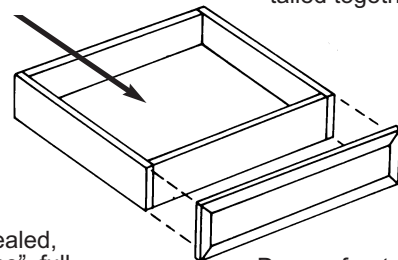


Concealed ends have a 1/2" thick plywood end panel with 1/8" reveal for trimmability

Drawer Box

3/8" plywood bottom

5/8" solid maple hardwood, dove-tailed together



Fully concealed, "active-close", full extension soft close bottom mount slides

Drawer front and box are separate

